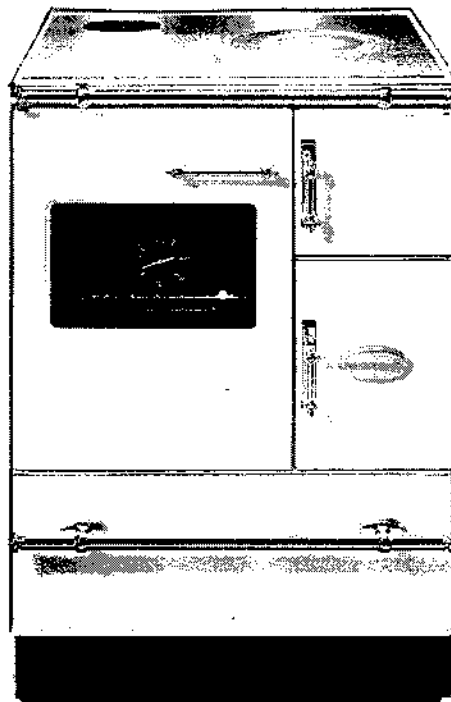


ERSATZTEILLISTE

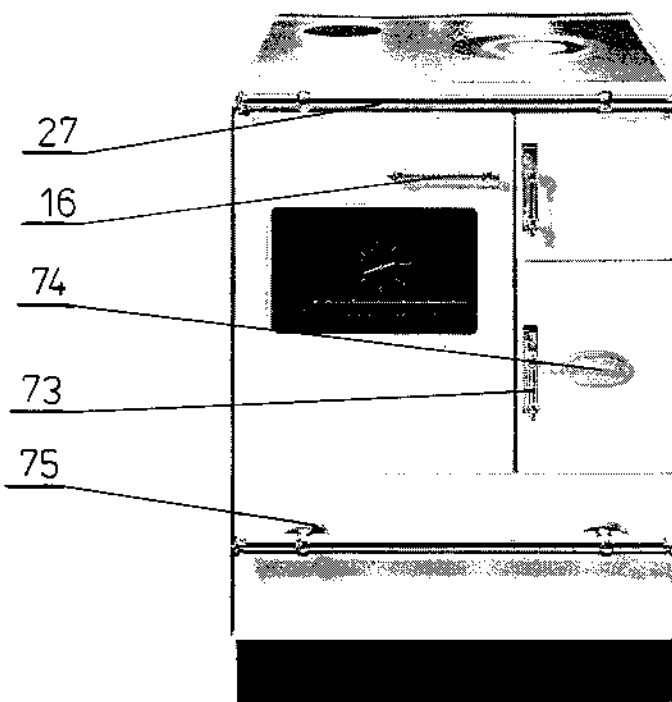
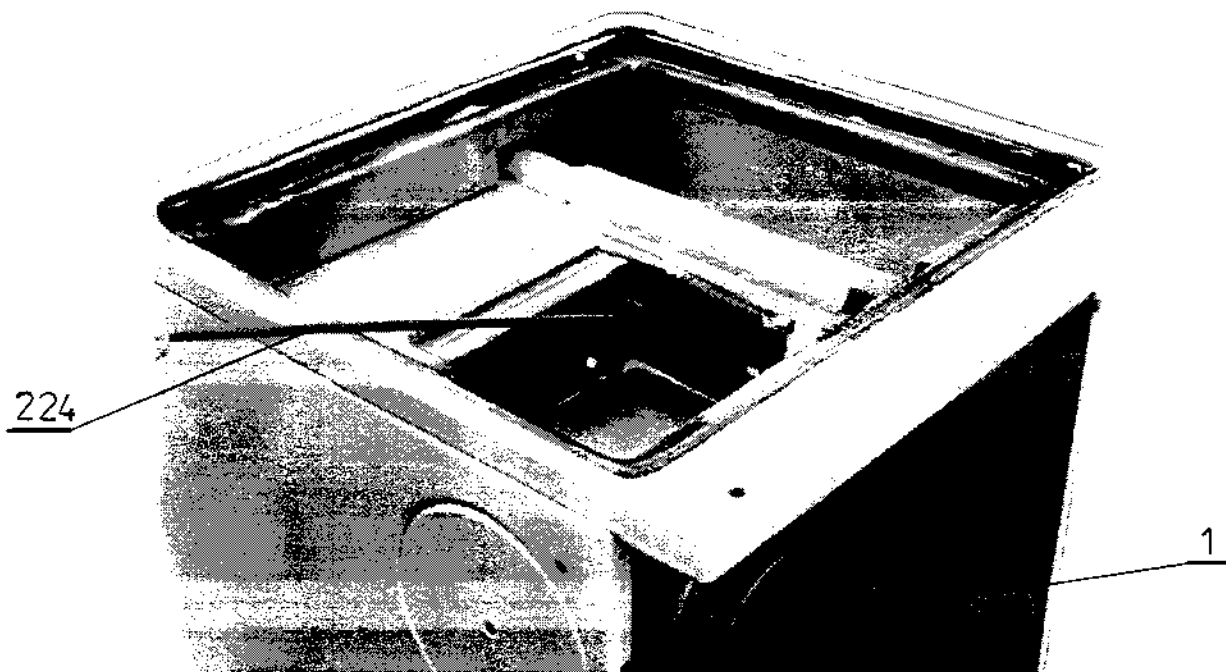
**K116 Standard-Line
 Creativ-Line**

KOHLE-HOLZ-HERD



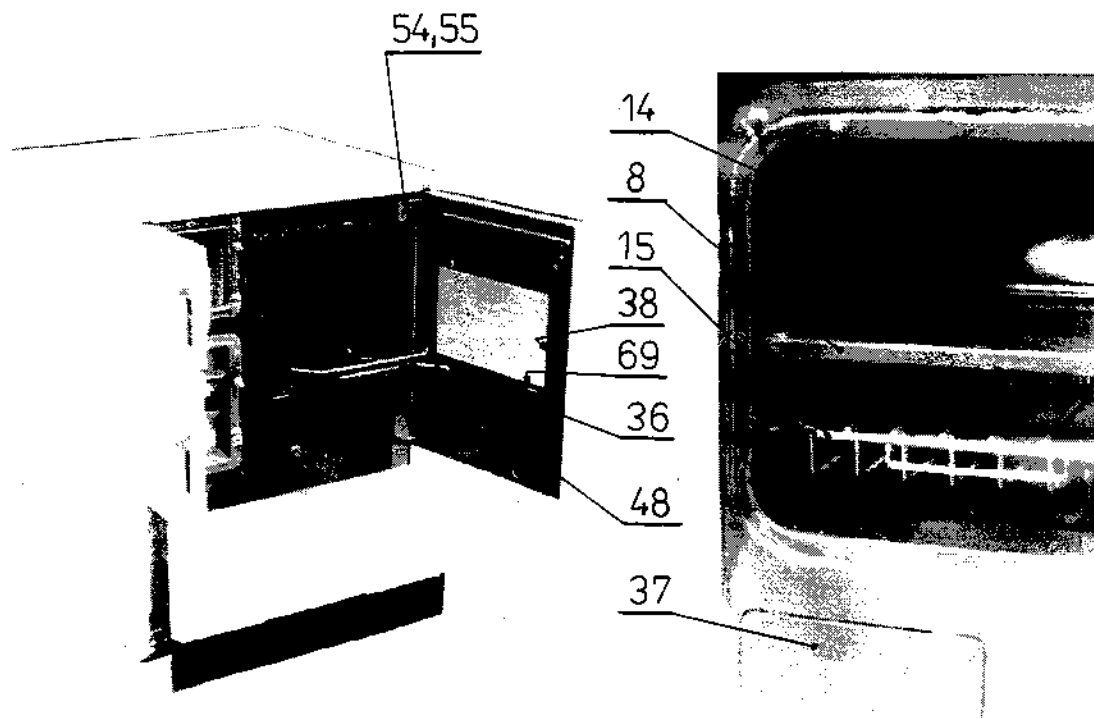
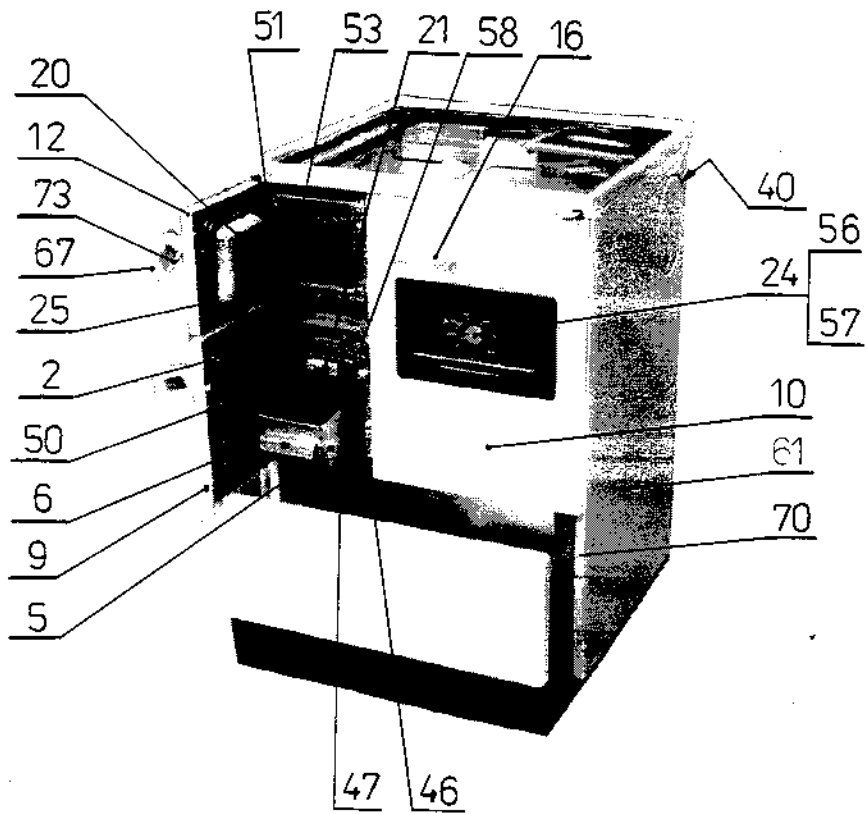
Ersatzteilliste

K 116



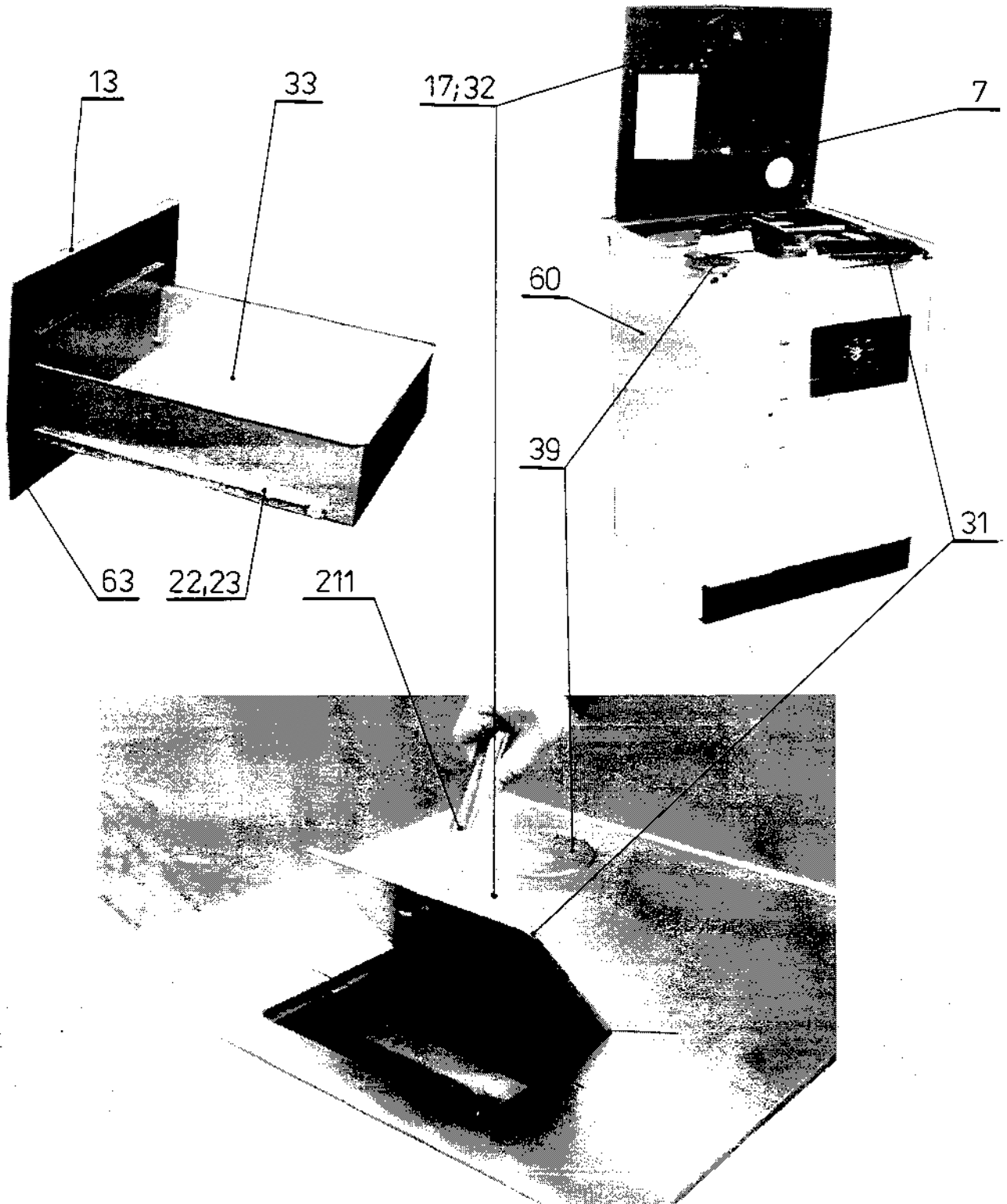
Ersatzteilliste

K 116



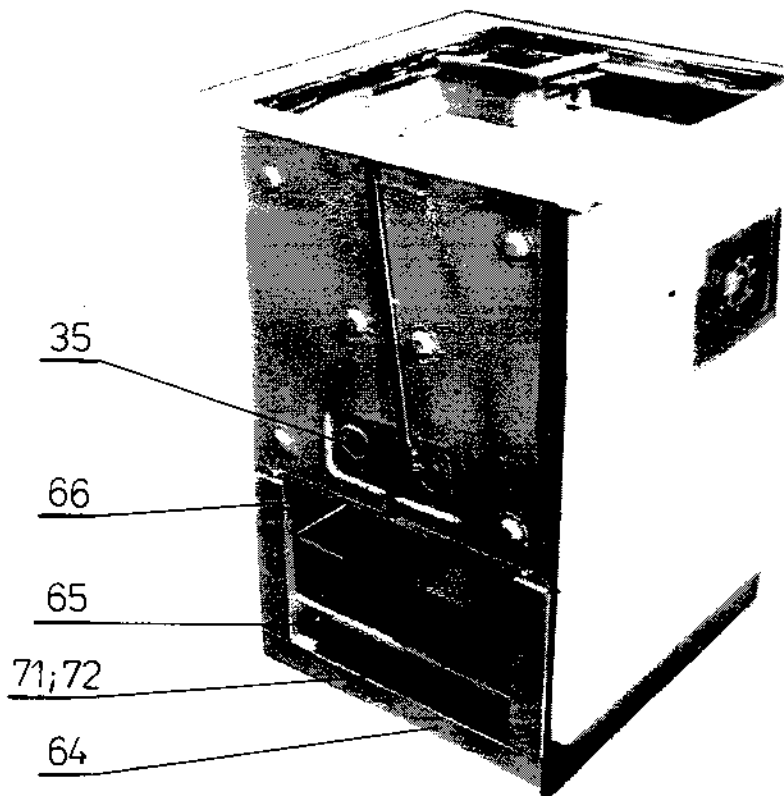
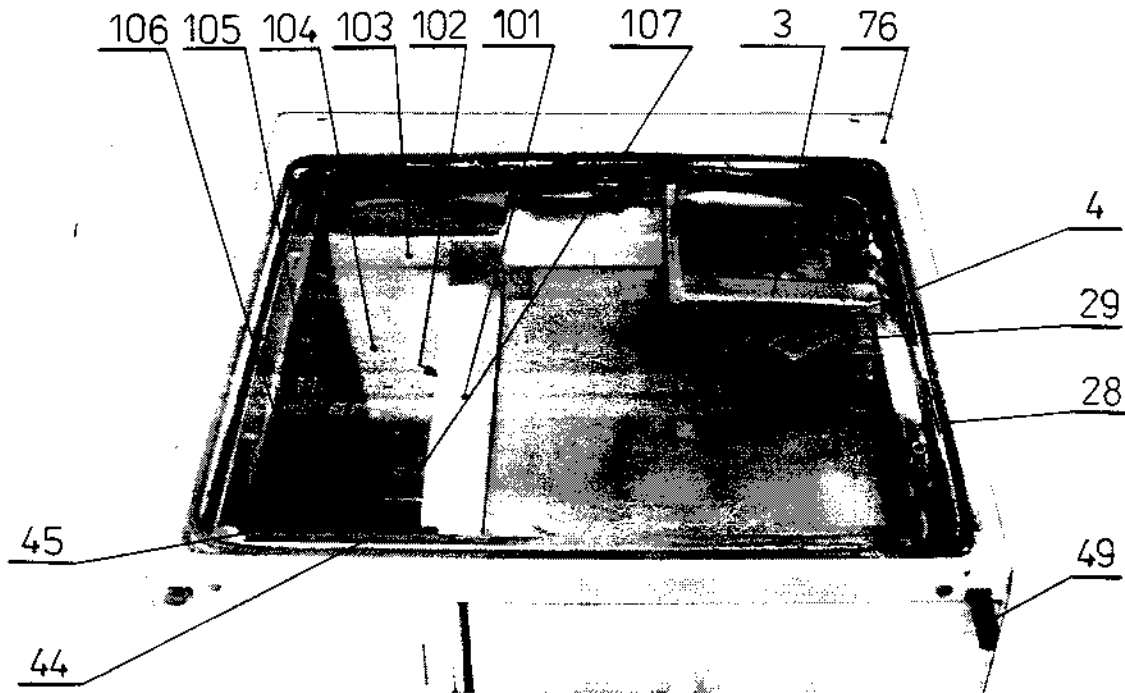
Ersatzteilliste

K 116



Ersatzteilliste

K 116



ERSATZTEILLISTE K 116

Pos-Nr:	Artikelbezeichnung	Artikel-Nr	Preis	TYP(EN)
010	ABGASSTUTZEN F.120er-ROHR	110131900	OA	ALLE
020	ACHSE F.ROSTTUR	116901311	EA	ALLE
040	ANHEIZKLAPPE GESCHW. RECHTS	116502005	FA	1,2,5,6,9,10,11,15,16,17,21,22,23,27,28,29,33,34,35,39,40,41,45, 46,47,51,52,53,57,58,59,63,64,65,69,70,71,75,76,77,81
041	ANHEIZKLAPPE GESCHW. LINKS	116502010	FA	3,4,7,8,12,13,14,18,19,20,24,25,26,30,31,32,36,37,38,42,43,44, 48,49,50,54,55,56,60,61,62,66,67,68,72,73,74,78,79,80,82
030	ANHEIZKLAPPENLAGER GESCHW. RECHTS	116501425	LA	1,2,5,6,9,10,11,15,16,17,21,22,23,27,28,29,33,34,35,39,40,41,45,46,47,5 1,52,53,57,58,59,63,64,65,69,70,71,75,76,77,81
031	ANHEIZKLAPPENLAGER GESCHW. LINKS	116501435	LA	3,4,7,8,12,13,14,18,19,20,24,25,26,30,31,32,36,37,38,42,43,44, 48,49,50,54,55,56,60,61,62,66,67,68,72,73,74,78,79,80,82
050	ASCHEKASTEN GESCHW.	110102700	WA	ALLE
060	ASCHETÜRRAHMEN+ASCHETÜR VORM. RECHTS	116301120	YA	1,2,5,6,9,10,11,15,16,17,21,22,23,27,28,29,33,34,35,39,40,41,45,46,47,5 1,52,53,57,58,59,63
061	ASCHETÜRRAHMEN+ASCHETÜR VORM. LINKS	116301150	YA	3,4,7,8,12,13,14,18,19,20,24,25,26,30,31,32,36,37,38,42,43,44, 48,49,50,54,55,56,60,61,62,66,67,68,72,73,74,78,79,80,82
070	AUFLAGEBLECH F.RAUCHLOCHDECKEL	110199900	FA	1,3,5,7,9,10,12,13,15,16,18,19,21,22,24,25,27,28,30,31,33,34,36,37,39,4 0,42,43,45,46,48,49,51,52,54,55,57,58,60,61,63,64,66,67, 69,70,72,73,75,76,78,79
080	BACKBLECH 294mm BREIT EM.SCHW'GRAU	101250610	RA	ALLE
490	BETÄTIGUNGSSTANGE F.AHK RECHTS	116150420	IA	1,2,5,6,9,10,11,15,16,17,21,22,23,27,28,29,33,34,35,39,40,41,45,46,47,5 1,52,53,57,58,59,63,64,65,69,70,71,75,76,77,81
491	BETÄTIGUNGSSTANGE F.AHK LINKS	116150425	IA	3,4,7,8,12,13,14,18,19,20,24,25,26,30,31,32,36,37,38,42,43,44, 48,49,50,54,55,56,60,61,62,66,67,68,72,73,74,78,79,80,82
095	BLENDE F.ASCHETÜR GESCHW.CNS.OH.LOCH	116118165	YA	63,64,65,66,67,68
093	BLENDE F.ASCHETÜR GESCHW.EM.BLAU MIT LOCH	116118135	SA	9,10,11,12,13,14,15,16,17,18,19,20,21,22,23,24,25,26
092	BLENDE F.ASCHETÜR GESCHW.EM.MARON OH.LOCH	116118127	SA	5,6,7,8,75,76,77,78,79,80
090	BLENDE F.ASCHETÜR GESCHW.EM.WEISS OH.LOCH	116118125	RA	1,2,3,4,69,70,71,72,73,74
091	BLENDE F.ASCHETÜR GESCHW.EM.WEISS OH.LOCH	116118126	OA	1,2,3,4,69,70,71,72,73,75
091	BLENDE F.ASCHETÜR GESCHW.EM.WEISS MIT LOCH	116118145	RA	45,46,47,48,49,50,51,52,53,54,55,56,57,58,59,60,61,62
094	BLENDE F.ASCHETÜR GESCHW.SCHWARZ MIT LOCH	116118130	SA	27,28,29,30,31,32,33,34,35,36,37,38,39,40,41,42,43,44
101	BLENDE F.BRATR'TÜR GESCHW. LI. WEISS	110109936	UA	3,4,48,49,50,54,55,56,60,61,62,72,73,74
100	BLENDE F.BRATR'TÜR GESCHW. RE. WEISS	110109931	UA	1,2,45,46,47,51,52,53,57,58,59,69,70,71
105	BLENDE F.BR'TÜR GESCHW.LI. BLAU	116109936	VA	12,13,14,18,19,20,24,25,26
109	BLENDE F.BR'TÜR GESCHW.LI. EDELST.	116109165	GB	66,67,68
107	BLENDE F.BR'TÜR GESCHW.LI.SCHWARZ	116109931	WA	30,31,32,36,37,38,42,43,44
104	BLENDE F.BR'TÜR GESCHW.RE.BLAU	116109935	VA	9,10,11,15,16,17,21,22,23
108	BLENDE F.BR'TÜR GESCHW.RE.EDELST.	116109065	GB	63,64,65
106	BLENDE F.BR'TÜR GESCHW.RE.SCHWARZ	116109930	WA	27,28,29,33,34,35,39,40,41
124	BLENDE F.HEIZTÜR GESCHW. EDELST.	116118065	XA	63,64,65,66,67,68
122	BLENDE F.HEIZTÜR GESCHW. EM.BLAU	116118025	OA	9,10,11,12,13,14,15,16,17,18,19,20,21,22,23,24,25,26
121	BLENDE F.HEIZTÜR GESCHW. EM.MARON	116118020	OA	5,6,7,8,75,76,77,78,79,80

ERSATZTEILLISTE

K 116

Pos-Nr:	Artikelbezeichnung	Artikel-Nr	Preis TYP(EN)
120	BLLENDE F.HEIZTÜR GESCHW. EM.WEIB	116118015	NA 1,2,3,4,45,46,47,48,49,50,51,52,53,54,55,56,57,58,59,60,61,62,69,70,71,72,73,74
123	BLLENDE F HEIZTÜR GESCHW. SCHWARZ	116118030	OA 27,28,29,30,31,32,33,34,35,36,37,38,39,40,41,42,43,44
734	BLLENDE F.HT/AT-GRIF F EDELSTAHL	126005111	IA 63,64,65,66,67,68
731	BLLENDE F.HT/AT-GRIF F EMAILL.MARON	126005019	HA 5,6,7,8,75,76,77,78,79,80
730	BLLENDE F.HT/AT-GRIF F EMAILL.WEIB	126005018	HA 1,2,3,4,69,70,71,72,73
732	BLLENDE F.HT/AT-GRIF F Ms-POLIERT	126005021	JA 9,10,11,12,13,14,27,28,29,30,31,32,45,46,47,48,49,50
733	BLLENDE F.HT/AT-GRIF F Ms-VERCHROMT	126005001	IA 15,16,17,18,19,20,21,22,23,24,25,26,33,34,35,36,37,38,39,40,41,42,43,44,51,52,53,54,55,56,57,58,59,60,61,62
133	BLLENDE F.KOHLEWAG.GESCHW. EM.BLAU MIT LOCH	116352730	TA 9,10,11,12,13,14,15,16,17,18,19,20,21,22,23,24,25,26
135	BLLENDE F.KOHLEWAG.GESCHW. EDELST.OHNE LOCH	116352760	GB 63,64,65,66,67,68
132	BLLENDE F.KOHLEWAG.GESCHW. EM.MARON OH.LOCH	116352725	TA 5,6,7,8,75,76,77,78,79,80
130	BLLENDE F.KOHLEWAG.GESCHW. EM.WEIB OH.LOCH	116352740	SA 1,2,3,4,69,70,71,72,73,74
131	BLLENDE F.KOHLEWAG.GESCHW. EM.WEIB MIT LOCH	116352720	SA 45,46,47,48,49,50,51,52,53,54,55,56,57,58,59,60,61,62
134	BLLENDE F.KOHLEWAG.GESCHW.EM.SCHWARZ M.LOCH	116352735	UA 27,28,29,30,31,32,33,34,35,36,37,38,39,40,41,42,43,44
103	BLLENDE GESCHW.F.BRTÜR LI.MARON	110109976	VA 7,8,78,79,80
102	BLLENDE GESCHW.F.BRTÜR RE.MARON	110109966	VA 5,6,75,76,77
140	BRATROHR GESCHW. EM.SCHWARZGRAU	110103010	LB ALLE
150	BRATROST/BACKROST VERNICKELT	110250800	RA ALLE
161	BUGELGRIF F.BRTÜR BESCH.I.MARON	116961055	PA 5,6,7,8,75,76,77,78,79,80
160	BUGELGRIF F.BRTÜR BESCH.I.WEIB	116961050	PA 1,2,3,4,69,70,71,72,73,74
164	BUGELGRIF F.BRTÜR EDELSTAHL	116025044	QA 63,64,65,66,67,68
162	BUGELGRIF F.BRTÜR GOLDFARBEN	116015042	TA 9,10,11,12,13,14,27,28,29,30,31,32,45,46,47,48,49,50
163	BUGELGRIF F.BRTÜR VERCHROMT	116005042	UA 15,16,17,18,19,20,21,22,23,24,25,26,33,34,35,36,37,38,39,40,41,42,43,44,51,52,53,54,55,56,57,58,59,60,61,62
170	CERANPLATTE 570X532X4 ALLS.GEFAST	116951600	VB 2,4,6,8,11,14,17,20,23,26,29,32,35,38,41,44,47,50,53,56,59,62,65,68,71,74,77,80
2110	DECKELHEBER VERNICKELT	120961101	IA 1,2,3,4,5,6,7,8,9,10,11,12,13,14,15,16,17,18,19,20,21,22,23,24,25,26,27,28,29,30,31,32,33,34,35,36,37,38,39,40,41,42,43,44,45,46,47,48,49,50,51,52,53,54,55,56,57,58,59,60,61,62,63,64,65,66,67,68,69,70,71,72,73,74,75,76,77,78,79,80
770	DICHTSCHNUR D4 mm ISOKERAM ASB' FR.	011260012	BA ALLE
780	DICHTSCHNUR D6 mm SCHWARZ ASBESTFREI	011260054	EA ALLE
790	DICHTSCHEIBE D150xD12x5 ISOPLAN	120950200	EA ALLE
200	FEUERSCHÜTZPLATTE, GG SCHÜTZLACK.	116120610	JA ALLE
210	FÜHRUNGSBÜGEL FÜR RÜTTLERSTANGE	110157000	HZ ALLE
230	FÜHRUNGSSCHIENE LI., F.KOHLEWAGEN	120154111	JA ALLE
220	FÜHRUNGSSCHIENE RE., F.KOHLEWAGEN	120154121	JA ALLE
240	GLASEINSATZ VORM.M.THERMOMETER	110350300	DB ALLE
673	GRIFFBÜGEL F.HT+AR Ms-VERCHROMT	126015030	SA 15,16,17,18,19,20,21,22,23,24,25,26,33,34,35,36,37,38,39,40,41,42,43,44,51,52,53,54,55,56,57,58,59,60,61,62
674	GRIFFBÜGEL F.HT+AT EDELSTAHL	126025142	SA 63,64,65,66,67,68

ERSATZTEILLISTE K 116

Pos-Nr:	Artikelbezeichnung	Artikel-Nr	Preis	TYP(EN)
672	GRIFFBÜGEL F.HT+AT Ms-POLIERT	126005030	QA	9,10,11,12,13,14,27,28,29,30,31,32,45,46,47,48,49,50
671	GRIFFBÜGEL F.HT+AT PORZELL.MARON	126015037	OA	5,6,7,8,75,76,77,78,79,80
670	GRIFFBÜGEL F.HT+AT PORZELL.WEIB	126005037	OA	1,2,3,4,69,70,71,72,73,74
680	GRIF-UNTERTEIL VORM.M.ACHSE	126050111	IA	ALLE
250	HEIZTÜRRAHMEN+HEIZTÜR VORM RECHTS	116301100	YA	1,2,5,6,9,10,11,15,16,17,21,22,23,27,28,29,33,34,35,39,40,41,45, 46,47,51,52,53,57,58,59,63,64,65,69,70,71,75,76,77,81
251	HEIZTÜRRAHMEN+HEIZTÜR VORM. LINKS	116301200	YA	3,4,7,8,12,13,14,18,19,20,24,25,26,30,31,32,36,37,38,42,43,44, 48,49,50,54,55,56,60,61,62,66,67,68,72,73,74,78,79,80,82
270	HERDSTANGE KPL. GOLDFARBEN	116005060	DB	9,10,11,12,13,14,27,28,29,30,31,32,45,46,47,48,49,50
271	HERDSTANGE KPL. VERCHROMT	116015060	EB	15,16,17,18,19,20,21,22,23,24,25,26,33,34,35,36,37,38,39,40,41, 42,43,44,51,52,53,54,55,56,57,58,59,60,61,62
272	HERDSTANGE LOCHABST.502 EDELSTAHL	116025055	AB	63,64,65,66,67,68
763	HERDRAHMEN "CREATIVE" EM.SCHWARZ, m.Nieten u.Bohrungen	116102919	MB	27,28,29,30,31,32,33,34,35,36,37,38
762	HERDRAHMEN "CREATIVE" EM.BLAU, m.Nieten u.Bohrungen	116102905	LB	9,10,11,12,13,14,15,16,17,18,19,20
764	HERDRAHMEN "CREATIVE" WEIB, m.Nieten u.Bohrungen	116102901	KB	45,46,47,48,49,50,51,52,53,54,55,56
760	HERDRAHMEN "STANDARD" WEIB, m.Nieten u.Befestigungsbügel	116102902	KB	1,2,3,4
761	HERDRAHMEN "STANDARD" MARON, m.Nieten u.Befestigungsbügel	116102915	LB	5,6,7,8
766	HERDRAHMEN "STANDARD" EDELSTAHL, m.Nieten u.Befestigungsbügel	116102930	QB	69,70,71,72,73,74,75,76,77,78,79,80
765	HERDRAHMEN "CREATIVE" EDELSTAHL, m.Nieten u.Bohrungen	116102935	QB	21,22,23,24,25,26,39,40,41,42,43,44,57,58,59,60,61,62
767	HERDRAHMEN LOCHABST.502 EDELSTAHL, m.Nieten u.Bohrungen f.Edelst.herde	116102925	QB	63,64,65,66,67,68
280	ISOLIERBLECH F.BRATROHR RECHTS	110116330	OA	1,2,5,6,9,10,11,15,16,17,21,22,23,27,28,29,33,34,35,39,40,41,45,46,47,5 1,52,53,57,58,59,63,64,65,69,70,71,75,76,77,81
281	ISOLIERBLECH F.BRATROHR LINKS	110116340	OA	3,4,7,8,12,13,14,18,19,20,24,25,26,30,31,32,36,37,38,42,43,44, 48,49,50,54,55,56,60,61,62,66,67,68,72,73,74,78,79,80,82
290	ISOLIERBLECH STEHEND F.VORDERWAND	110154720	LA	ALLE
2180	KERAMIKFASERMATTE 400X250X12,7 mm	110540820	NA	ALLE
310	KOCHLOCHDECKEL GESCHW. 230X165X7	125501200	TA	1,3,5,7,10,13,16,19,22,25,28,31,34,37,40,43,46,49,52,55,58,61, 64,67,70,73,76,79
311	KOCHLOCHDECKEL MEHRRING-4tlg. GUß mit	126016000	XA	9,12,15,18,21,24,27,30,33,36,39,42,45,48,51,54,57,60,63,66,69, 72,75,78
323	KOCHLOCHPLATTE 530X568X7 MRD LINKS	116501174	OMB	12,18,24,30,36,42,48,54,60,66,72,78
322	KOCHLOCHPLATTE 530X568X7 MRD RECHTS	116501164	OMB	9,15,21,27,33,39,45,51,57,63,69,75
320	KOCHLOCHPLATTE 530X568X7 RED. RECHTS	116501184	NMB	1,5,10,16,22,28,34,40,46,52,58,64,70,76
321	KOCHLOCHPLATTE 530X568X7 RED.LINKS mit	116501194	NMB	3,7,13,20,25,31,37,43,49,55,61,67,73,79

ERSATZTEILLISTE K 116

Pos-Nr:	Artikelbezeichnung	Artikel-Nr	Preis	TYP(EN)
330	KOHLEWAGENWANNE GENIET.M.SCHIENEN	116353500	YA	ALLE
360	MITNEHMERBÜGEL F.BRATROST	110251500	FA	ALLE
350	PRIMÄRLUFTREGLER GESCHW.RECHTS	116004600	LA	1,2,5,6,9,10,11,15,16,17,21,22,23,27,28,29,33,34,35,39,40,41,45,46,47,51,52,53,57,58,59,63,64,65,69,70,71,75,76,77,81
351	PRIMÄRLUFTREGLER GESCHW.LINKS	116004605	LA	3,4,7,8,12,13,14,18,19,20,24,25,26,30,31,32,36,37,38,42,43,44,48,49,50,54,55,56,60,61,62,66,67,68,72,73,74,78,79,80,82
370	PUTZTÜRDECKEL GG EM.SCHWARZGRAU	110127310	MA	ALLE
380	RAHMENHÄLFTE F.GLASEINSATZ GROß	120127010	NA	ALLE
390	RAUCHLOCHDECKEL D120X7mm	110136300	NA	1,3,5,7,9,10,12,13,15,16,18,19,21,22,24,25,27,28,30,31,33,34,36,37,39,40,42,43,45,46,48,49,51,52,54,55,57,58,60,61,63,64,66,67,69,70,72,73,75,76,78,79
400	RAUCHLÖCHDECKEL D154 mm M.BOHRG.D5	462111600	IA	ALLE
580	RIEGELLEISTE F. VERSCHLUß HT+AT	126005010	EA	ALLE
800	ROHRNIET 6x0,75x6 F.ANHEIZKL.	050734032	AA	ALLE
440	ROST 100X296 mm, GG15 SCHUTZLACK.	110150600	UA	ALLE
450	ROSTLAGER GG15, SCHUTZLACKIERT	110150300	VA	ALLE
460	ROSTTÜR, GG SCHUTZLACKIERT	116151305	LA	ALLE
471	ROSTTÜRLAGER LINKS, GG SCHUTZLACK	116155910	VA	3,4,7,8,12,13,14,18,19,20,24,25,26,30,31,32,36,37,38,42,43,44,48,49,50,54,55,56,60,61,62,66,67,68,72,73,74,78,79,80,82
470	ROSTTÜRLAGER RECHTS, GG SCHUTZLACK	116155905	VA	1,2,5,6,9,10,11,15,16,17,21,22,23,27,28,29,33,34,35,39,40,41,45,46,47,51,52,53,57,58,59,63,64,65,69,70,71,75,76,77,81
2240	RÜßKRATZE GESCHW., SCHUTZLACKIERT	179975200	KA	1,2,3,4,5,6,7,8,9,10,11,12,13,14,15,16,17,18,19,20,21,22,23,24,25,26,27,28,29,30,31,32,33,34,35,36,37,38,39,40,41,42,43,44,45,46,47,48,49,50,51,52,53,54,55,56,57,58,59,60,61,62,63,64,65,66,67,68,69,70,71,72,73,74,75,76,77,78,79,80
500	RÜTTLERSTANGE	126603400	FA	ALLE
480	RÜCKBLECH F.BR'TÜR VORM.RECHTS	110101271	YA	1,2,5,6,9,10,11,15,16,17,21,22,23,27,28,29,33,34,35,39,40,41,45,46,47,51,52,53,57,58,59,63,64,65,69,70,71,75,76,77,81
481	RÜCKBLECH F.BR'TÜR VORM.LINKS	110101281	YA	3,4,7,8,12,13,14,18,19,20,24,25,26,30,31,32,36,37,38,42,43,44,48,49,50,54,55,56,60,61,62,66,67,68,72,73,74,78,79,80,82
482	RÜCKBLECH F.BR'TÜR VORM.RE.F.CNS-HERD	116101200	YA	63,64,65,66,67,68
483	RÜCKBLECH F.BR'TÜR VORM.LI.F.CNS-HERD	116101210	YA	63,64,65,66,67,68
1030	RÜCKSTEIN OBEN SCHAMOTTE A35p	116140730	QA	ALLE
1040	RÜCKSTEIN SCHAMOTTE A35p	110140300	TA	ALLE
510	SCHARNIERSTANGE D4X40 mm ST BLK	110901335	AA	ALLE
530	SCHARNIERSTANGE D5X470 mm LG. BLANK	110901330	DA	ALLE
540	SCHARNIERWINKEL F.BR' TÜR RECHTS	110125300	LA	ALLE
550	SCHARNIERWINKEL F.BRATR'TÜR LINKS	110125310	LA	ALLE
560	SCHAUGLAS AUßEN 334X208X4 M.SKALA	120961800	OA	ALLE
570	SCHAUGLAS INNEN 334X208X4 M.BOHR.	120961810	NA	ALLE

ERSATZTEILLISTE K 116

Pos-Nr:	Artikelbezeichnung	Artikel-Nr	Prels	TYP(EN)
2250	SCHÜRHAKEN SCHUTZLACKIERT	168975503	LA	1,2,3,4,5,6,7,8,9,10,11,12,13,14,15,16,17,18,19,20,21,22,23,24,25,26,27,28,29,30,31,32,33,34,35,36,37,38,39,40,41,42,43,44,45,46,47,48,49,50,51,52,53,54,55,56,57,58,59,60,61,62,63,64,65,66,67,68,69,70,71,72,73,74,75,76,77,78,79,80
741	SCRIPTSCHILD "WAMSLER" VERCHROMT	126001101	PA	15,16,17,18,19,20,21,22,23,24,25,26,33,34,35,36,37,38,39,40,41,42,43,44,51,52,53,54,55,56,57,58,59,60,61,62
740	SCRIPTSCHILD "WAMSLER" Ms-POLIERT	126001100	OA	9,10,11,12,13,14,27,28,29,30,31,32,45,46,47,48,49,50
1050	SEITENSTEIN OBEN	116140620	RA	ALLE
1060	SEITENSTEIN UNTEN SCHAMOTTE A35p	116140630	NA	ALLE
613	SEITENWAND M.ISOL LINKS MARON	110102095	CB	7,8,78,79,80
611	SEITENWAND M.ISOL LINKS WEIß	110102010	CB	3,4,48,49,50,54,55,56,60,61,62,72,73,74
612	SEITENWAND M.ISOL RECHTS MARON	110102090	CB	5,6,75,76,77
615	SEITENWAND M.ISOL. M.LOCH. LI. BLAU	116102075	CB	12,13,14,18,19,20,24,25,26
619	SEITENWAND M.ISOL. M.LOCH. LI. CNS	116102085	PB	66,67,68
617	SEITENWAND M.ISOL. M.LOCH. LI. SCHWARZ	116102065	DB	30,31,32,36,37,38,42,43,44
616	SEITENWAND M.ISOL. M.LOCH. RE SCHWARZ	116102060	DB	27,28,29,33,34,35,39,40,41
614	SEITENWAND M.ISOL. M.LOCH. RE. BLAU	116102070	CB	9,10,11,15,16,17,21,22,23
618	SEITENWAND M.ISOL. M.LOCH. RE.CNS	116102080	PB	63,64,65
603	SEITENWAND M.ISOL. O.A. RE/LI. SCHWARZ	116108060	DB	27,28,29,30,31,32,33,34,35,36,37,38,39,40,41,42,43,44
602	SEITENWAND M.ISOL. O.A. RE/LI. BLAU	116108070	CB	9,10,11,12,13,14,15,16,17,18,19,20,21,22,23,24,25,26
604	SEITENWAND M.ISOL. O.A. RE/LI. CNS	116108080	PB	63,64,65,66,67,68
601	SEITENWAND M.ISOL. RE+LI. MARON	110102085	CB	5,6,7,8,75,76,77,78,79,80
610	SEITENWAND M.ISOL. RECHTS, WEIß	110102000	CB	1,2,45,46,47,51,52,53,57,58,59,69,70,71
600	SEITENWAND M.ISOL., O.WRAS'L WEIß	110102040	CB	1,2,3,4,45,46,47,48,49,50,51,52,53,54,55,56,57,58,59,60,61,62,69,70,71,72,73,74
630	SOCKELBLENDE SCHWARZ	116119400	NA	1,2,3,4,5,6,7,8,9,10,11,12,13,14,15,16,17,18,19,20,21,22,23,24,25,26,27,28,29,30,31,32,33,34,35,36,37,38,39,40,41,42,43,44,45,46,47,48,49,50,51,52,53,54,55,56,57,58,59,60,61,62,63,64,65,66,67,68,69,70,71,72,73,74,75,76,77,78,79,80
640	SOCKELRAHMEN GESCHW.	116302800	XA	ALLE
1010	STEIN (BRATROHRSTEIN) OBEN RECHTS	110140205	SA	1,2,5,6,9,10,11,15,16,17,21,22,23,27,28,29,33,34,35,39,40,41,45,46,47,51,52,53,57,58,59,63,64,65,69,70,71,75,76,77,81
1011	STEIN (BRATROHRSTEIN) OBEN LINKS	110140215	SA	3,4,7,8,12,13,14,18,19,20,24,25,26,30,31,32,36,37,38,42,43,44,48,49,50,54,55,56,60,61,62,66,67,68,72,73,74,78,79,80,82

ERSATZTEILLISTE K 116

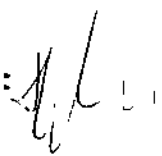
Pos-Nr:	Artikelbezeichnung	Artikel-Nr	Preis	TYP(EN)
1020	STEIN (BRATROHRSTEIN) UNTEN RECHTS	110140200	PA	1,2,5,6,9,10,11,15,16,17,21,22,23,27,28,29,33,34,35,39,40,41,45,46,47,51,52,53,57,58,59,63,64,65,69,70,71,75,76,77,81
1021	STEIN (BRATROHRSTEIN) UNTEN LINKS	110140210	PA	3,4,7,8,12,13,14,18,19,20,24,25,26,30,31,32,36,37,38,42,43,44,48,49,50,54,55,56,60,61,62,66,67,68,72,73,74,78,79,80,82
1070	STEIN (STREIFEN) 22X22X230 SCHAM.	116141203	GA	ALLE
650	STELLSCHRAUBE M8X70 M.KUNSTRSTFUß	110286420	EA	ALLE
660	STRAHLSCHUTZBLECH	116242100	NA	ALLE
750	UNTERLAGE OVAL 75X35 mm Ms-POLIERT	126001200	JA	9,10,11,12,13,14,27,28,29,30,31,32,45,46,47,48,49,50
751	UNTERLAGE OVAL 75X35 mm Ms-VERCHROMT	126001201	KA	15,16,17,18,19,20,21,22,23,24,25,26,33,34,35,36,37,38,39,40,41,42,43,44,51,52,53,54,55,56,57,58,59,60,61,62
690	WINKEL F.SCHAUGLASRAHMEN	168881920	DA	ALLE
701	WRASENSCHUTZLEISTE MARON	116216450	NA	5,6,7,8,75,76,77,78,79,80
703	WRASENSCHUTZLEISTE SCHWARZ	116216430	NA	15,16,17,18,19,20,21,22,23,24,25,26,33,34,35,36,37,38,39,40,41,42,43,44,63,64,65,66,67,68
700	WRASENSCHUTZLEISTE WEIß	116216440	NA	1,2,3,4,51,52,53,54,55,56,57,58,59,60,61,62,69,70,71,72,73,74
702	WRASENSCHUTZLEISTE Ms-POLIERT	116216420	PA	9,10,11,12,13,14,27,28,29,30,31,32,45,46,47,48,49,50
720	Z-SCHIENE LINKS, F. KOHLEWAGEN	120154130	LA	ALLE
710	Z-SCHIENE RECHTS, F. KOHLEWAGEN	120154140	LA	ALLE
2260	VERSCHLUSSZAPFEN ST.VERNICK. f. BRATHROHRTÜR	116905300	BA	ALLE

Austausch

POS.	Artikel-Nr.	Ausf.		Rohrst.		Kochi.platte			Verkleidung					Herdrahm.			Beschlage					
		Standard	Creativ Line	Rechts	Links	Rechteckdeck	Mehring	Ceran	Weiss	Maron	Biau	Schwarz	CNS	Emalliert	CNS		Weiss	Maron	Messing	Verchromt	Matt verchromt	
0.	1.	2.	3.	4.	5.	6.	7.	8.	9.	10.	11.	12.	13.	14.	15.	16.	17.	18.	19.	20.	21.	22.
1.	001160000	X		X		X			X					X				X				
2.	001160600	X		X				X	X					X				X				
3.	001160100	X			X	X			X					X				X				
4.	001160700	X			X			X	X					X				X				
5.	001160040	X		X		X				X				X					X			
6.	001160640	X		X				X		X				X					X			
7.	001160140	X			X	X				X				X					X			
8.	001160740	X			X			X		X				X					X			
9.	001169070		X	X			X				X			X						X		
10.	001169670		X	X		X					X			X						X		
11.	001169470		X	X				X			X			X						X		
12.	001169170		X		X		X				X			X						X		
13.	001169770		X		X	X					X			X						X		
14.	001169570		X		X			X			X			X						X		
15.	001168070		X	X			X				X			X								X
16.	001168670		X	X		X					X			X								X
17.	001168470		X	X				X			X			X								X
18.	001168170		X		X		X				X			X								X
19.	001168770		X		X	X					X			X								X
20.	001168570		X		X			X			X			X								X
21.	001168270		X	X			X				X					X						X
22.	001168675		X	X		X					X					X						X
23.	001168475		X	X				X			X					X						X
24.	001168370		X		X		X				X					X						X
25.	001168775		X		X	X					X					X						X
26.	001168575		X		X			X			X					X						X
27.	001169060		X	X			X					X		X						X		
28.	001169660		X	X		X						X		X						X		
29.	001169460		X	X				X				X		X						X		
30.	001169160		X		X		X					X		X						X		
31.	001169760		X		X	X						X		X						X		

POS.	Artikel-Nr.	Ausf.		Rohrst.		Kochl.platte			Verkleidung					Herdrahm.				Beschläge					
		Standard	Creativ Line	Rechts	Links	Rechteckdeck	Mehrring	Ceran	Weiss	Maron	Blau	Schwarz	CNS	Emalliert	CNS			Weiss	Maron	Messing	Verchromt.	Matt verchromt	
0.	1.	2.	3.	4.	5.	6.	7.	8.	9.	10.	11.	12.	13.	14.	15.	16.	17.	18.	19.	20.	21.	22.	
32.	001169560		X		X			X				X		X							X		
33.	001168080		X	X			X					X		X								X	
34.	001168660		X	X		X						X		X								X	
35.	001168480		X	X				X				X		X								X	
36.	001168160		X		X		X					X		X								X	
37.	001168780		X		X	X						X		X								X	
38.	001168560		X		X			X				X		X								X	
39.	001168260		X	X			X					X					X					X	
40.	001168665		X	X		X						X					X					X	
41.	001168465		X	X				X				X					X					X	
42.	001168360		X		X		X					X					X					X	
43.	001168765		X		X	X						X					X					X	
44.	001168585		X		X			X				X					X					X	
45.	001169000		X	X			X		X					X							X		
46.	001169600		X	X		X			X					X							X		
47.	001169400		X	X				X	X					X							X		
48.	001169100		X		X		X		X					X							X		
49.	001169700		X		X	X			X					X							X		
50.	001169500		X		X			X	X					X							X		
51.	001168000		X	X			X		X					X								X	
52.	001168600		X	X		X			X					X								X	
53.	001168400		X	X				X	X					X								X	
54.	001168100		X		X		X		X					X								X	
55.	001168700		X		X	X			X					X								X	
56.	001168500		X		X			X	X					X								X	
57.	001168200		X	X			X		X								X					X	
58.	001168605		X	X		X			X								X					X	
59.	001168405		X	X				X	X								X					X	
60.	001168300		X		X		X		X								X					X	
61.	001168705		X		X	X			X								X					X	
62.	001168505		X		X			X	X								X					X	

POS.	Artikel-Nr.	Ausf.		Rohrst.		Kochl.platte			Verkleidung					Herdrahm.			Beschlage					
		Standard	Creativ Line	Rechts	Links	Rechteckdeck	Mehrring	Ceran	Weiss	Maron	Blau	Schwarz	CNS	Emalliert	CNS		Weiss	Maron	Messing	Verchromt	Matt verchromt	
0.	1.	2.	3.	4.	5.	6.	7.	8.	9.	10.	11.	12.	13.	14.	15.	16.	17.	18.	19.	20.	21.	22.
63.	001160080		X	X			X						X			X						X
64.	001160680		X	X		X							X			X						X
65.	001160480		X	X				X					X			X						X
66.	001160180		X		X		X						X			X						X
67.	001160780		X		X	X							X			X						X
68.	001160580		X		X			X					X			X						X
69.	001160200	X		X			X		X						X			X				
70.	001160800	X		X		X			X						X			X				
71.	001160400	X		X				X	X						X			X				
72.	001160300	X			X		X		X						X			X				
73.	001160900	X			X	X			X						X			X				
74.	001160500	X			X			X	X						X			X				
75.	001160240	X		X			X			X					X				X			
76.	001160840	X		X		X				X					X				X			
77.	001160440	X		X				X		X					X				X			
78.	001160340	X			X		X			X					X				X			
79.	001160940	X			X	X				X					X				X			
80.	001160540	X			X			X		X					X				X			
81.	001165000	ROH		X																		
82.	001165100	ROH			X																	

Kontrolliert: 

ERSATZTEILLISTE**K116 KIESEL**

Pos-Nr:	Artikelbezeichnung	Artikel-Nr.	Preis	TYP(EN)
09.6	BLLENDE f. ASCHETÜR GESCHW. EM. KIESEL MIT LOCH	116118155	SA	83,84,85,86,87,88,89,90,91, 92,93,94,95,96,97,98,99,100
10.10	BLLENDE f. BRATR'TÜR GESCHW. LINKS EM. KIESEL	116109941	VA	84,86,89,90,93,94,96,98,100
10.11	BLLENDE f. BRATR'TÜR GESCHW. RECHTS EM. KIESEL	116109940	VA	83,85,87,88,91,92,95,97,99,
12.5	BLLENDE f. HEIZTÜR GESCHW. EM. KIESEL	116118035	OA	83,84,85,86,87,88,89,90,91, 92,93,94,95,96,97,98,99,100
13.6	BLLENDE f. KOHLEWAGEN GESCHW. EM. KIESEL MIT LOCH	116352745	UA	83,84,85,86,87,88,89,90,91, 92,93,94,95,96,97,98,99,100
76.8	HERDRAHMEN "CREATIVE" KIESEL, GENIET. MIT ZWISCHENRAHM.	116102956	LB	83,84,87,89,91,93,95,96,97, 98,99,100
61.10	SEITENWAND M. ISOL. MIT LOCH, LINKS, KIESEL	116102095	CB	84,86,89,90,93,94,96,98,100
61.11	SEITENWAND M. ISOL. MIT LOCH, RECHTS, KIESEL	116102090	CB	83,85,87,88,91,92,95,97,99,
60.5	SEITENWAND MIT ISOL. O. A. RE./LI. KIESEL	116108090	CB	83,84,85,86,87,88,89,90,91, 92,93,94,95,96,97,98,99,100

POS.	Artikel-Nr.	Ausf.		Rohrst.		Kochl.platte			Verkleidung					Herdrahm.				Beschlage					
		Standard	Creativ Line	Rechts	Links	Rechteckdeck	Mehrring	Ceran	Weiss	Maron	Biau	Schwarz	Kiesel	CNS	Emalliert	CNS			Weiss	Maron	Messing	Verchromt	Matt verchromt
0.	1.	2.	3.	4.	5.	6.	7.	8.	9.	10.	11.	12.		13.	14.	15.	16.	17.	18.	19.	20.	21.	22.
83.	001168050		X	X			X						X		X							X	
84.	001168150		X		X		X						X		X							X	
85.	001168250		X	X			X						X				X					X	
86.	001168350		X		X		X						X				X					X	
87.	001168450		X	X				X					X		X							X	
88.	001168455		X	X				X					X				X					X	
89.	001168550		X		X			X					X		X							X	
90.	001168555		X		X			X					X				X					X	
91.	001168650		X	X		X							X		X							X	
92.	001168655		X	X		X							X				X					X	
93.	001168750		X		X	X							X		X							X	
94.	001168755		X		X	X							X				X					X	
95.	001169050		X	X			X						X		X						X		
96.	001169150		X		X		X						X		X						X		
97.	001169450		X	X				X					X		X						X		
98.	001169550		X		X			X					X		X						X		
99.	001169650		X	X		X							X		X						X		
100.	001169750		X		X	X							X		X						X		

Angefertigt:

Kontrolliert:

ERSATZTEILLISTE

K116 GRÜN

Pos-Nr:	Artikelbezeichnung	Artikel-Nr.	Preis	Typen
09.6	BLLENDE f. ASCHETÜR GESCHW. EM. GRÜN MIT LOCH	116118160	SA	101,102,103,104,105,106,107,108,109,110,111,112,113, 114,115,116,117,118
10.10	BLLENDE f. BRATRITÜR GESCHW. LINKS EM. GRÜN	116109946	VA	102,104,107,108,111,112,114,116,118
10.11	BLLENDE f. BRATRITÜR GESCHW. RECHTS EM. GRÜN	116109945	VA	101,103,105,106,109,110,113,115,117
12.5	BLLENDE f. HEIZTÜR VORM. EM. GRÜN	116118040	OA	101,102,103,104,105,106,107,108,109,110,111,112,113, 114,115,116,117,118
13.6	BLLENDE f. KOHLEWAGEN GESCHW. EM. GRÜN MIT LOCH	116352750	UA	101,102,103,104,105,106,107,108,109,110,111,112,113, 114,115,116,117,118
76.8	HERDRAHMEN "CREATIVE" GRÜN,GEN. MIT ZWISCHENRAHM.	116102961	LB	101,102,105,107,109,111,113,114,115,116,117,118
61.10	SEITENWAND M. ISOL. MIT LOCH, LINKS, GRÜN	116102055	CB	102,104,107,108,111,112,114,116,118
61.11	SEITENWAND M. ISOL. MIT LOCH, RECHTS, GRÜN	116102050	CB	101,103,105,106,109,110,113,115,117
60.5	SEITENWAND MIT ISOL. O. A. RE./LI. GRÜN	116108050	CB	101,102,103,104,105,106,107,108,109,110,111,112,113, 114,115,116,117,118

POS.	Artikel-Nr.	Ausf.		Rohrst.		Kochl.platte			Verkleidung					Herdrahm.			Beschlage						
		Standard	Creativ Line	Rechts	Links	Rechteckdeck	Mehrring	Ceran	Weiss	Maron	Blau	Schwarz	Grun	CNS	Emalliert	CNS		Weiss	Maron	Messing	Verchromt	Matt verchromt	
0.	1.	2.	3.	4.	5.	6.	7.	8.	9.	10.	11.	12.		13.	14.	15.	16.	17.	18.	19.	20.	21.	22.
101.	001168020		X	X			X						X		X							X	
102.	001168120		X		X		X						X		X							X	
103.	001168220		X	X			X						X				X					X	
104.	001168320		X		X		X						X				X					X	
105.	001168420		X	X				X					X		X							X	
106.	001168425		X	X				X					X				X					X	
107.	001168520		X		X			X					X		X							X	
108.	001168525		X		X			X					X				X					X	
109.	001168620		X	X		X							X		X							X	
110.	001168625		X	X		X							X				X					X	
111.	001168720		X		X	X							X		X							X	
112.	001168725		X		X	X							X				X					X	
113.	001169020		X	X			X						X		X						X		
114.	001169120		X		X		X						X		X						X		
115.	001169420		X	X				X					X		X						X		
116.	001169520		X		X			X					X		X						X		
117.	001169620		X	X		X							X		X						X		
118.	001169720		X		X	X							X		X						X		